



## FK GROUP SPA

Via Friuli, 21  
24044 Dalmine (BG) - Italy  
Tel. +39 035 565633

### *Sales Dept.*

commercial@fkgroup.com  
Tel. +39 035 565633  
Fax +39 035 564445

### *Customer Service*

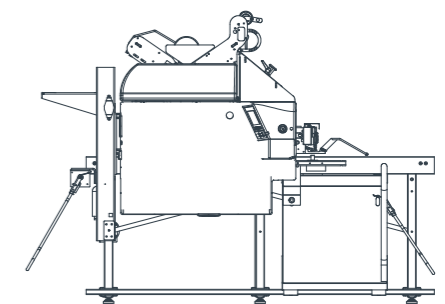
customer.service@fkgroup.com  
Tel. +39 035 566647  
Fax +39 035 564445



UNI EN ISO 9001:2015 Certified  
Quality Management Company

www.fkgroup.com  
fkgroup@fkgroup.com

1.1/2020



590 E-70 Spreading System



Made in Italy 

# Spreader with Cradle 590 E-70

Automatic spreading machine with unique design cradle feed, with manual operation through "twist and go" handle, and automatic operation with interactive digital control, for straight and reverse rolls. Spreading planning with steps. It's provided with "tension free" spreading control for all fabric types from lycra to denim, from jersey to technical textiles by specific devices.

- Spreading speed with short acceleration and deceleration digitally adjustable;
- Automatic electronic control of fabric tension;
- Brushless main motors and service motors asynchronous type with variable speed;
- 4 wheel-drive machine;
- Cradle with alternate belts for rolls of Ø 50cm, up to 100cm as optional, and max weight 70kg.

Working width (cm)	180	200	220	240
Overall dimensions LxWxH (cm)	142 x 320 x 120	142 x 340 x 120	142 x 360 x 120	142 x 380 x 120
Weight (Kg)	475	525	575	625
Installed Power (kW)	3	3	3,2	3,2
Average Consumption (kW)	1,8	1,8	2	2
Power supply Tension	400V±10%			
Rolls maximum diameter (cm)	50			
Rolls maximum weight (Kg)	70			
Maximum spreading speed (mt/min)	~100			

Narrower or wider working widths are available subject to technical approval.  
With the aim of improving its machinery FGgroup reserve the right to change the technical characteristics without prior notice.

More technical info:

- Cutting device with/without catcher and mobile catcher;
- Operator platform;
- Lay's maximum height 18cm (14cm with zig-zag);
- Selvage alignment with infra-red technology;
- Automatic stop of end fabric;
- Partial and total lays counter per colour;
- Lay thickness measured with infra-red technology.

