



motion by innovation

Expertise in
Drive Technology
and Automation



www.efka.net

Energy efficient
RoHS compliant
ECO-friendly

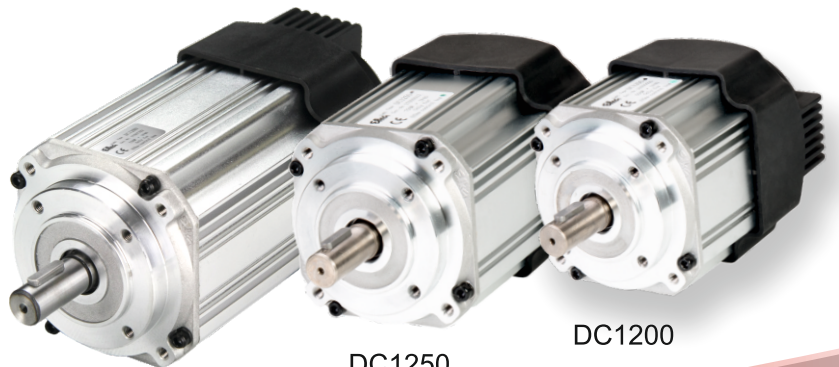
easy to use - simply good

AB611A
AB620A



DC1210

DC1230



DC1280

DC1250

DC1200

compact servo
Serie 600



Frankl & Kirchner GmbH & Co KG
Antriebs- und Steuerungstechnik
Drives and Control Systems

AB611A / AB620A

- Useful for light (DC1200), heavy-duty (DC1250), extra heavy-duty (DC1280) and for direct drive applications (DC1210/DC1230)
- Digital programming directly on the control box
- Programmable maximum rotational speed, acceleration and braking curves
- Operating hours counter
- Machine operating time monitoring with optical indicator when service required

- Flash technology, no Eprom
- Connection for USB memory stick
- Universal mounting above or below the tableboard (under-table mounting set as special accessories)
- Operates with V belt or timing belt (different transmission ratios possible)
- Pedal actuation using EB401 analog actuator

AB611A

- **Universally usable for sewing machines with foot lift and thread trim:**
- **Lockstitch** - Pfaff, Dürkopp Adler, Brother, Juki, Singer, and other brands
- **Lockstitch (medium to heavier duty)** - Dürkopp Adler, Pfaff, Juki, Brother, and other brands
- **Chainstitch** - All brands
- **Overlock** - All brands
- **Backlatch** - Pegasus, Yamato
- *Adapter cords for various sewing machine brands are available*
- Programmable light barrier functions
- 6 (13 - AB620A) short-circuit proof signal outputs with overload protection
- 7 individually programmable switch inputs
- Separate knee switch connection

AB620A

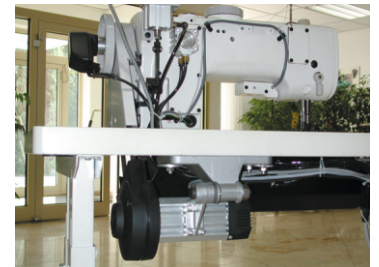
Additional functions:

- **Backtack, stitch condensing, chain suction, high lift for walking foot**
- **Connector for Variocontrol V810 / V820 + V800 / V860**

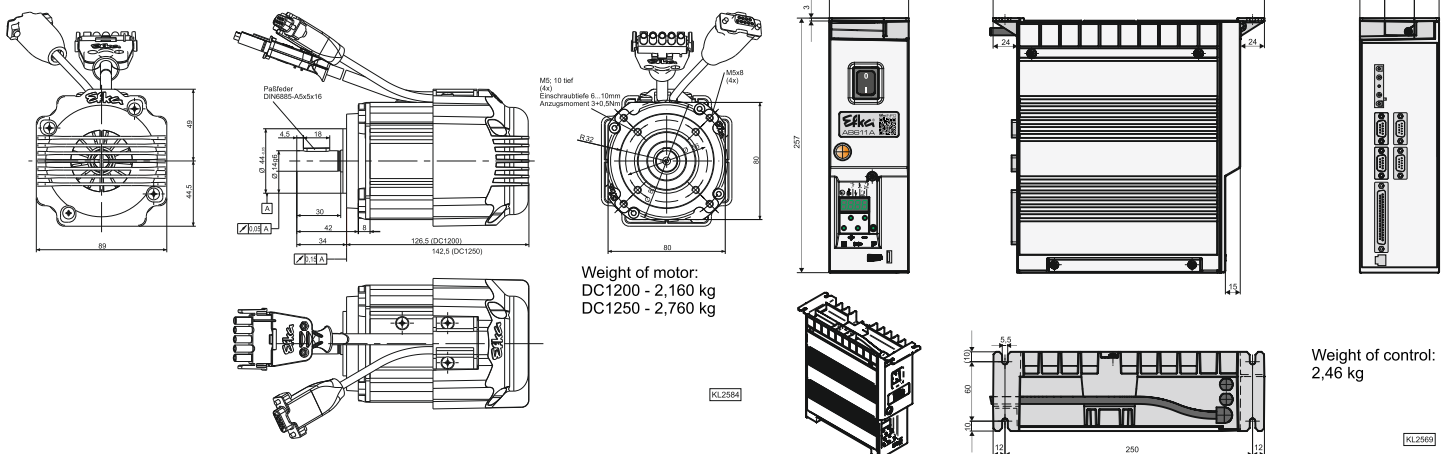
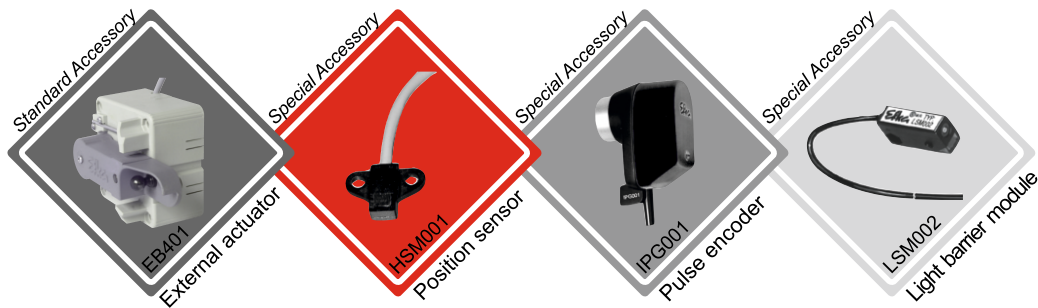
Direktmontage



Untertischmontage



- Direct mounting kits available for Yamato, Juki, Pegasus, Kansai and Strobel



efka®

FRANKL & KIRCHNER GMBH & CO. KG
SCHEFFELSTRASSE 73 • 68723 SCHWETZINGEN
Tel.: 06202 2020 • Fax: 06202 202115
E-Mail: info@efka.net • www.efka.net

efka®

OF AMERICA INC.
3715 NORTHCREST ROAD SUITE 10
ATLANTA GEORGIA 30340
Phone: +1 (770) 457-7006 Fax: +1 (770) 458-3899
E-mail: efkaus@efkaus.comcastbiz.net

efka®

ELECTRONIC MOTORS SINGAPORE PTE. LTD.
67, AYER RAJAH CRESCENT 05-03
SINGAPORE 139950
Phone: +65 67772459 Fax: +65 67771048
E-mail: efkaems@efka.net